

Lugano

assembly instructions

SAVIC[®]
pets' favourite

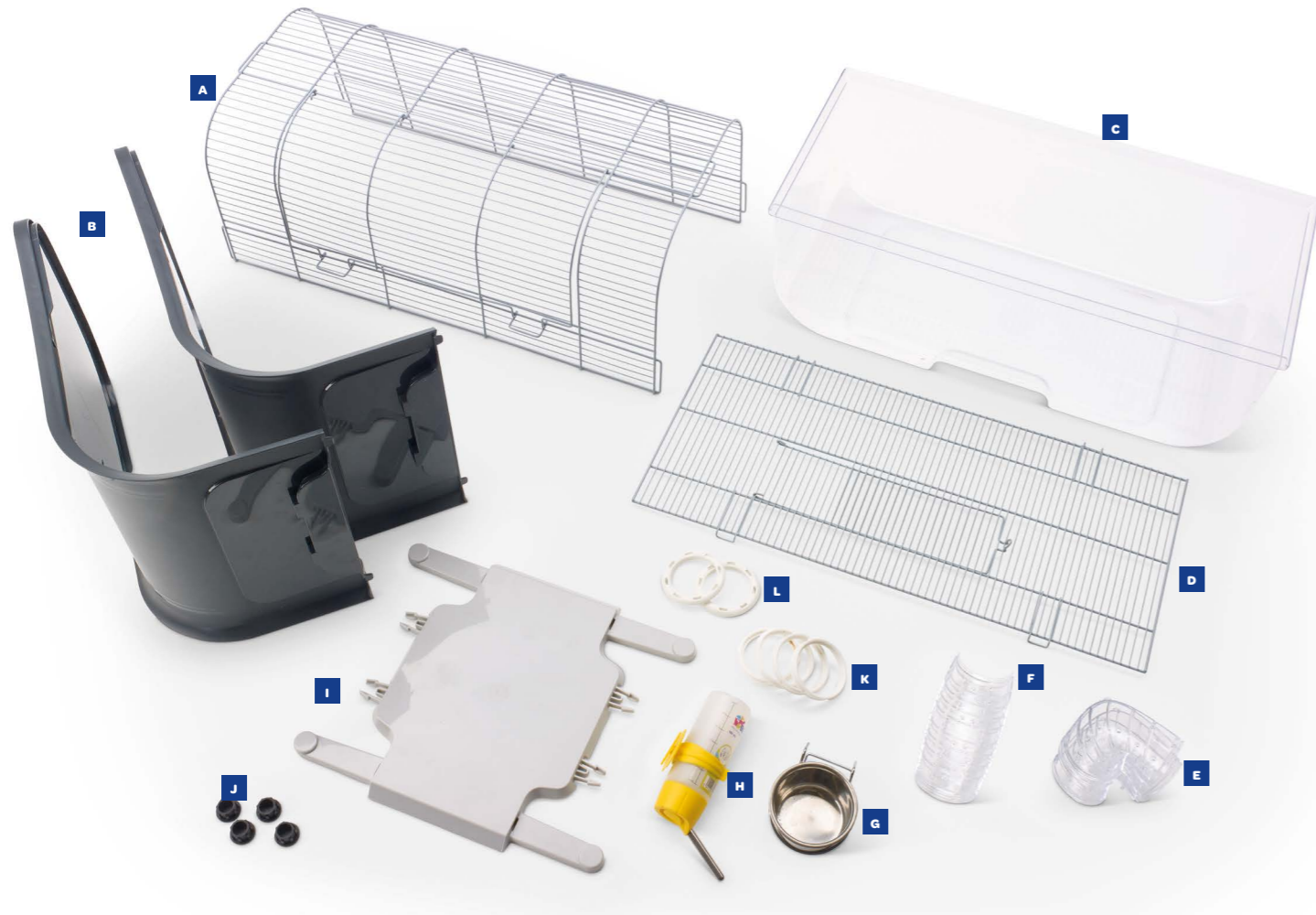


Follow us on  

#petslovesavic

Check list

Before you start assembling your cage, please check if you have all the components.
If any part is missing or damaged, do not use your cage.

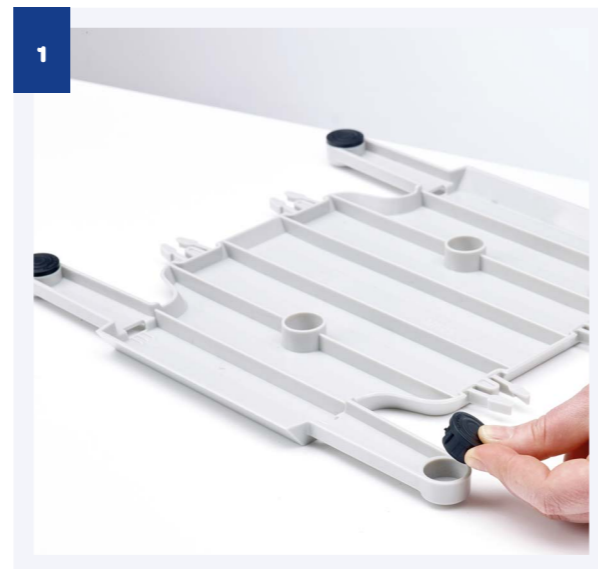


- A 1 cage
- B 2 side panels
- C 1 plastic tank
- D 1 cage platform with ladder

- E 4 elbow parts
- F 2 tube parts
- G 1 feeding bowl
- H 1 water bottle + holder

- I 1 connector for side panels
- J 4 non-slip feet
- K 4 connection rings
- L 2 protection rings

instruction video



Assemble the 4 non-slip feet below the connector.



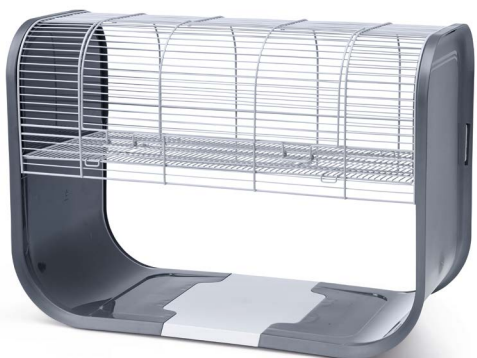
Take 1 of the 2 side panels and attach to the connector.



Click now the wire cage part into the side panel. Make sure it is well fixed.
Take now the remaining side panel and assemble this to the cage and the connector.

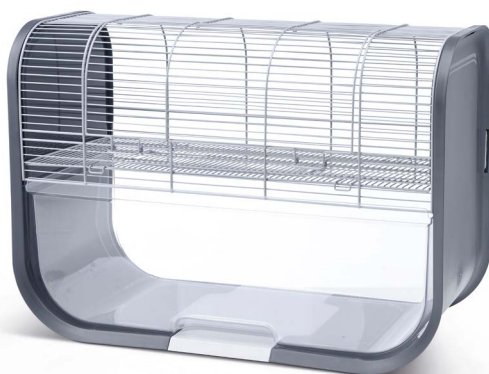


4



Install the cage floor.

5



Place the plastic tank below the cage part.

6



Fill the bottle completely with water and attach to the side of the cage so your gerbils can easily reach it from the floor and also fill the feeding bowl. Assemble the play tube.

7



Take the plastic tank of your Lugano and fill half way with sawdust, sand or fine peat. Bury the play tube to create the first tunnel for your gerbils to play in. Your Lugano is now ready for your gerbils.

Montage-instructies in het Nederlands - Instructions de montage en Français - Aufbau-Anleitung auf Deutsch -
Instrucciones de montaje en español - руководства на русском языке

www.savic.be/lugano